

Adjustable Duct Opening Design

AIR BEAR® RIGHT ANGLE MEDIA WHOLE-HOUSE AIR CLEANER



Trion's Air Bear Right Angle is ideal where installation requires a 90° duct adapter. Our exclusive design has an adjustable duct opening that significantly reduces installation time.

Trion Air Bear whole-house media air cleaners are much more efficient than ordinary furnace filters. The Air Bear media filter outperforms the competition because of its highly-efficient synthetic material that features radial pleating and an omnidirectional airflow design -- and has been proven to have a higher dirt holding capacity than competitive filters!

FEATURES/BENEFITS

- Built-in Duct Work / Adjustable Duct Opening- eliminates need for field forming transition, significantly reducing installation time!
- Space-Saving Design - saves 6" to 8" as compared to competitive products with 90° turns!
Ideal for basement applications!
- Works as Turning Vane - even distribution of air across filter
- Mounting Holes Provided - no drilling required
- Optional Antimicrobial Treated Replaceable Air Bear Filter - helps control the growth of microorganisms trapped by the filter
- Available up to 2000 CFM - offers dealers a variety of optional applications
- 10-Year Limited Warranty on the Cabinet - offers both dealer and customer quality assurance
- No Electrical Components - maximum reliability!

HOW IT WORKS

Trion's Air Bear Right Angle is directly mounted to a home's heating and cooling system. The high efficiency Air Bear media filter captures the smaller, invisible particles that standard furnace and electrostatic filters miss. The nonwoven, pleated Air Bear media filter traps particles as small as 1 micron (1/24,000 of an inch in diameter) so cleaned air is recirculated into the home.

Most common media filters (Figure 1) restrict airflow throughout the heating and cooling system, causing higher energy costs. The accumulation of airborne particles trapped on the outside of the media restrict airflow and make the entire heating cooling system work harder. Trion Air Bear filters (Figure 2), capture and retain pollutants inside the filter, allowing air to flow freely through the system while increasing efficiency and reducing heating and cooling costs.

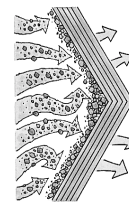


FIGURE 1

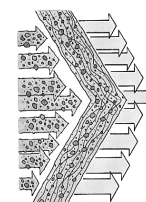
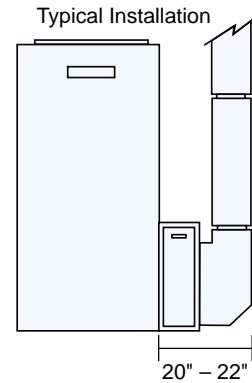


FIGURE 2

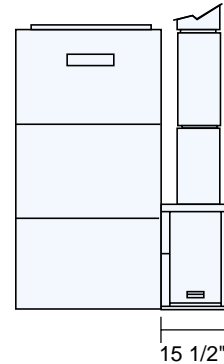
SPECIFICATIONS

AIR BEAR RIGHT ANGLE • MEDIA AIR CLEANER

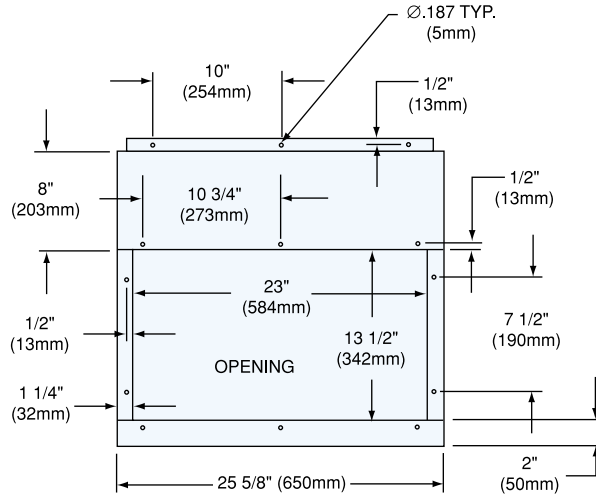
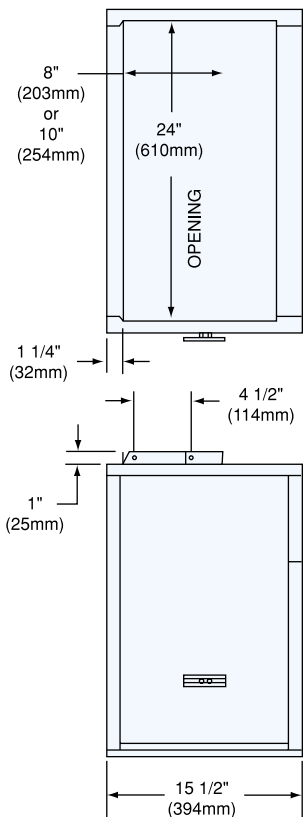
- PART NUMBER:** 447380-002
- RATED AIR FLOW:** 2000 cfm (3400 m³/hr)
- OUTSIDE DIMENSIONS:** 25 5/8" D x 24 3/8" H x 15 1/2" W
(650mm D x 619mm H x 394mm W)
- ADJUSTABLE DUCT**
- OPENING:** 24" x 8" (610mm x 203mm) or 24" x 10" (610mm x 254mm)
- FURNACE OPENING:** 23" x 13 1/2" (584mm x 342mm)
- MEDIA SIZE:** 5" D x 20" H x 24 1/2" W
(127mm D x 508mm H x 622mm W)
- MEDIA PART NO.:** 229990-102 (3 pack)
- MEDIA TYPE:** 100% synthetic disposable/factory assembled
- MEDIA LISTING:** UL Classified (see complete marking on product)
- CABINET FINISH:** Powder coated paint finish
- SHIPPING WT.:** 35 Lbs. (15.8 kg.)
- UNIVERSAL APPLICATION:** Right hand/left hand installation
- OPTIONAL ACCESSORY:** Antimicrobial Media: Part Number 248713-102 (3 pack)



TRION's Air Bear Right Angle Installation



**Space Saver -
Smaller footprint**



The Air Bear Right Angle features the excellent qualities of the Air Bear family including low resistance for HVAC systems, quick and easy installation, and a Trion-backed warranty.

Air Bear Air Cleaners have been tested using ANSI / ASHRAE 52.1-1992 standard test procedures.

Distributed by:



Fedders Unitary Products • P.O. Box 7938 • Longview, TX 75607 • (800) 225-6753 • FAX: (903) 643-2222